



Diagnostic

McIntosh

0-001

Conventional laryngoscope set with medium handle
Set of 3, Fig. 1-Fig. 3

0-002

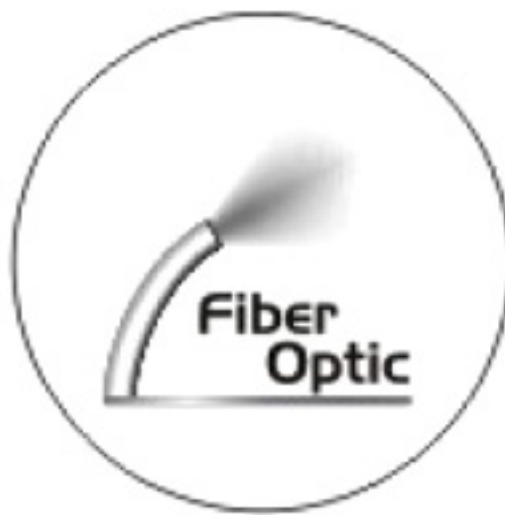
Conventional laryngoscope set with medium handle
Set of 4, Fig. 1-Fig. 4

0-003

Fiber optic laryngoscope set with medium handle
Set of 3, Fig. 1-Fig. 3

0-004

Fiber optic laryngoscope set with medium handle
Set of 4, Fig. 1-Fig. 4



Miller

0-005

Conventional Laryngoscope set with medium handle
Set of 3, fig. 1-fig. 3

0-006

Conventional Laryngoscope set with medium handle
Set of 4, fig. 1-fig. 4

0-007

Fiber optic laryngoscope set with medium handle
Set of 3, fig. 1-fig. 3

0-008

Fiber optic laryngoscope set with medium handle
Set of 4, fig. 1-fig. 4





Diagnostic



0-009
McIntosh
Laryngoscopes
(DISPOSABLE)
Available
Size 0,1,2,3,4



McIntosh
0-016
Laryngoscopes
Battery Handle
(without battery)
Available
Size 0,1,2,3,4

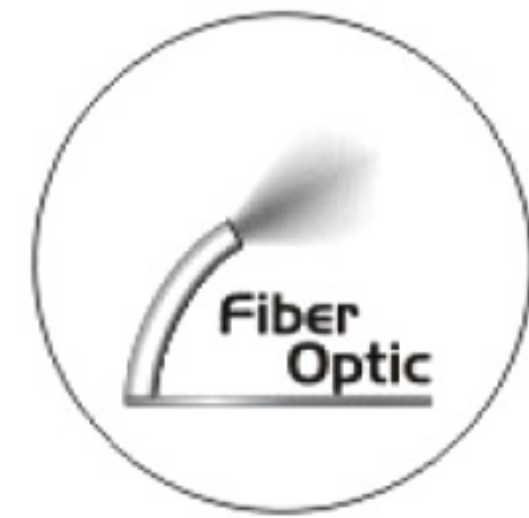


Fig. 0
0-010
Conventional
0-011
Fiber optic
Working length 55 mm



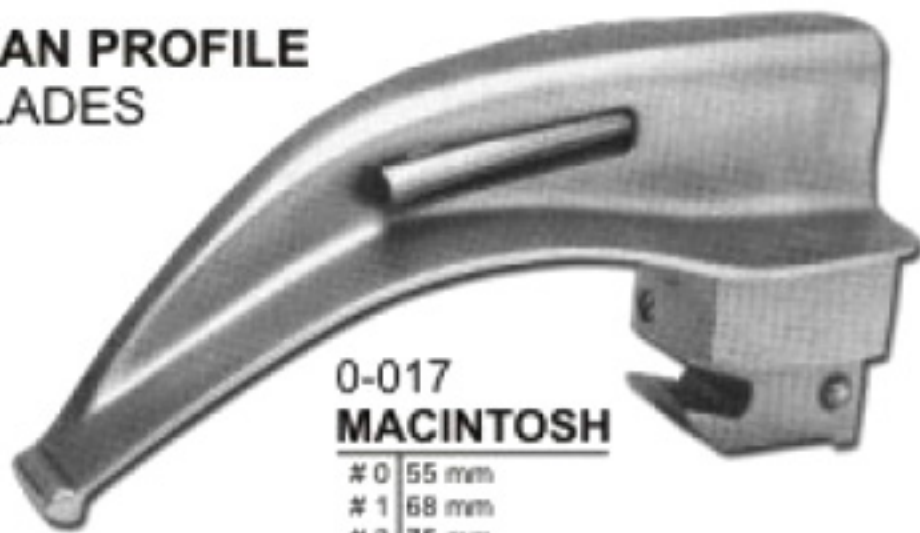
Fig. 1
0-012
Conventional
0-013
Fiber optic
Working length 80 mm



Miller-Baby
0-014
Conventional laryngoscope set with medium handle
Set of 2, Fig. 0-Fig. 1
0-015
Fiber optic laryngoscope set with medium handle
Set of 2, Fig. 0-Fig. 1



GERMAN PROFILE F/O BLADES



**0-017
MACINTOSH**
0 55 mm
1 68 mm
2 75 mm
3 115 mm
4 130 mm

0-018 MOONLIGHT

0 55 mm
1 70 mm
2 90 mm
3 115 mm
4 132 mm



**0-020
MILLER**
0 55 mm
1 76 mm
2 130 mm
3 170 mm
4 180 mm



**0-021
FOREGGER**
0 55 mm
1 68 mm
2 90 mm
3 110 mm
4 132 mm

ENGLISH PROFILE F/O BLADES



**0-023
FOREGGER**
0 55 mm
1 68 mm
2 90 mm
3 110 mm
4 132 mm



**0-022
MILLER**
0 55 mm
1 76 mm
2 130 mm
3 170 mm
4 180 mm



**0-024
MACINTOSH**
0 55 mm
1 68 mm
2 75 mm
3 115 mm
4 130 mm

Diagnostic

LARYNGOSCOPES

Fiber optic



0-019



Diagnostic



0-025
OTOSCOPE (without battery)
with halogen lamp
or
fiber optic



0-026
OPHTHALMOSCOPE SET
Consisting of :
Ophthalmoscope,
Battery Handle
(without battery)



0-028
DIAGNOSTICS ENT SET
Consisting of :
Otoscope With 2 Specula
Nasal Specula, Lamp Carrier
Tongue Depressor, 2 Laryngeal Mirrors,
Vertical Ophthalmoscope,
Battery Handle (without Battery)

(Available in different colours)
with halogen lamp or fiber optic



0-027
MINI OTOSCOPE
with 8 Ear specula
in pouch





DIAGNOSTICS

DIAGNOSTICS SETS



**DIAGNOSTIC SET
(ENT COMPLETE)
1-100**

Consisting of Battery Handle (without Battery)
3 Ear Specula, 1 Nasel Specula,
2 Laryngeal mirrors with Holder
1 Tongue Depressor Holder, 1 Bulb



**OTOSCOPE Set
1-110**

Consisting of Battery Handle
(without Battery) 3 Ear Specula, 1 Bulb

BLOOD LANCETS



**FRANCKE
1-120**



**FRANCKE
1-130**

CHEST PIECES



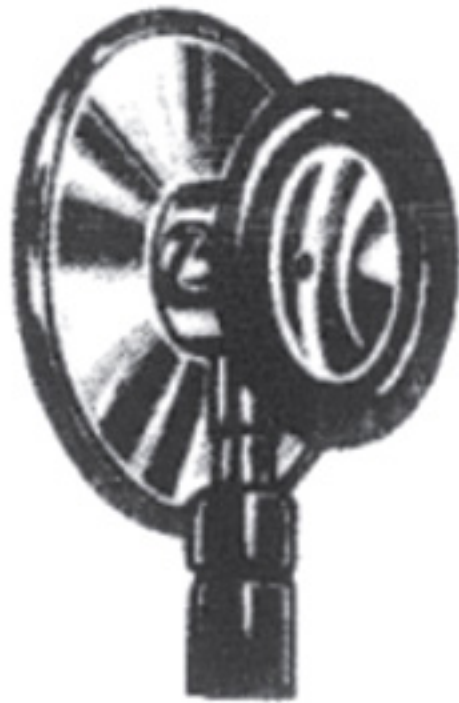
**BOWLES
1-140**





DIAGNOSTICS

CHEST PIECES & STETHOSCOPES



LIGHT WEIGHT
1-160



SPRAGUE-BOWLES
1-170



BOWLES
1-180



FORD
1-190



BELL-END
1-200



SPARE RUBBER
1-210



DIAPHRAM
1-220

FRAMES



HEAD FRAME
(FOR LIGHTWEIGHT)
1-230



HEAD FRAME
(FOR BINURAL)
1-240



PINARD
1-250 ALUMINIUM
1-260 WOODEN



DIAGNOSTICS

STETHSCOPES



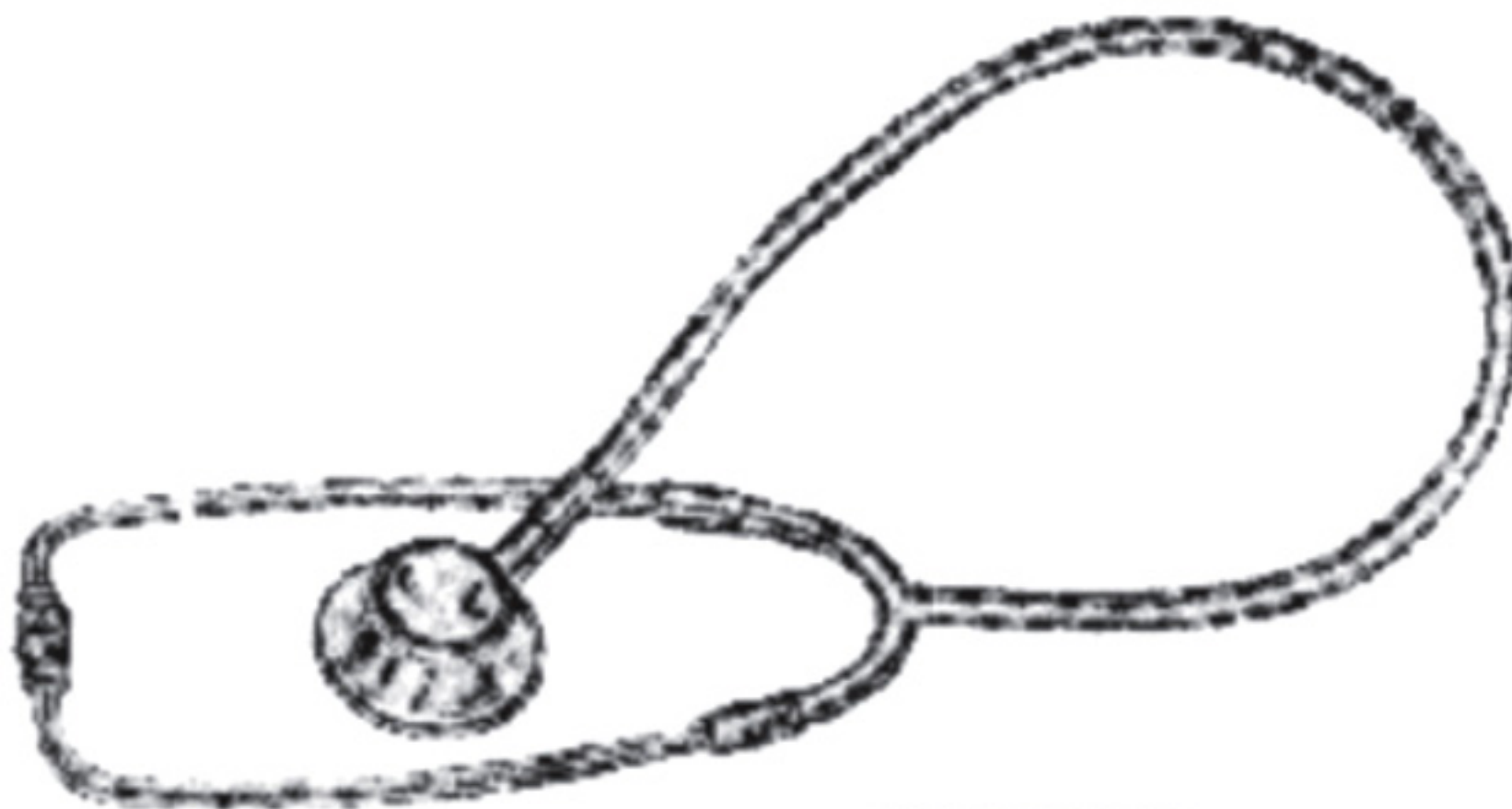
BOWLES
1-270



FORD
1-280



FORD-BOWLES
1-290



LIGHTWEIGHT
1-300



DIAGNOSTICS

PERCUSSION HAMMERS



TAYLOR
1-310 19cm



DEJERINE
1-320 20cm



DEJERINE
1-330



BABINSKY
1-340



BUCK
1-350 18cm



BERLINER
1-360



TRAUBE
1-370



PINWHEEL

WARTENBERG
1-380