



## RECTUM RECTAL SPECULA



SIMS  
53-100 15cm



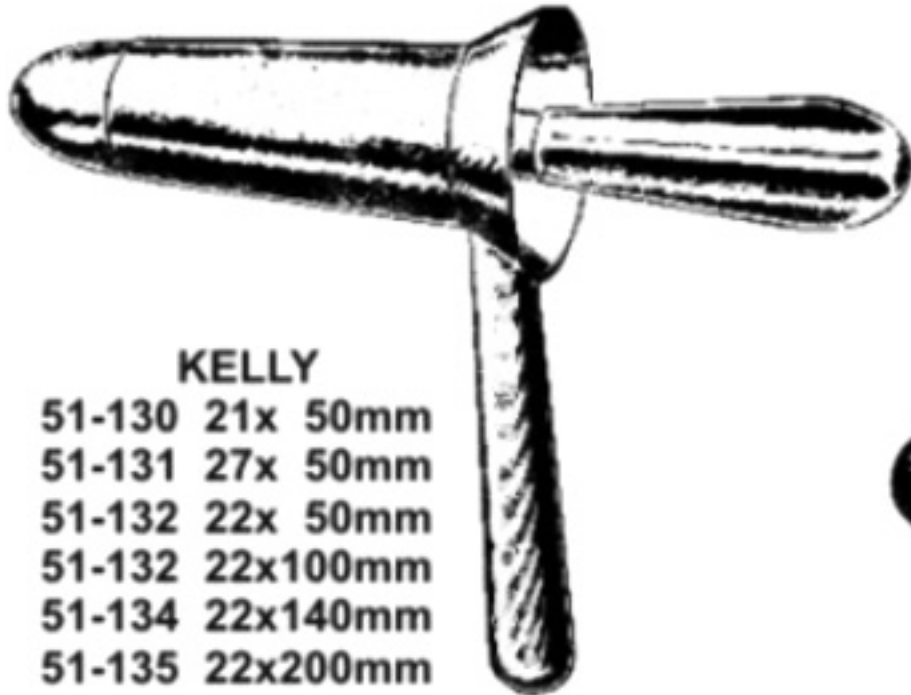
SIMS  
53-110 15cm



SIMS  
53-115 15cm



MATHIEU  
53-120 19cm



KELLY  
51-130 21x 50mm  
51-131 27x 50mm  
51-132 22x 50mm  
51-132 22x100mm  
51-134 22x140mm  
51-135 22x200mm



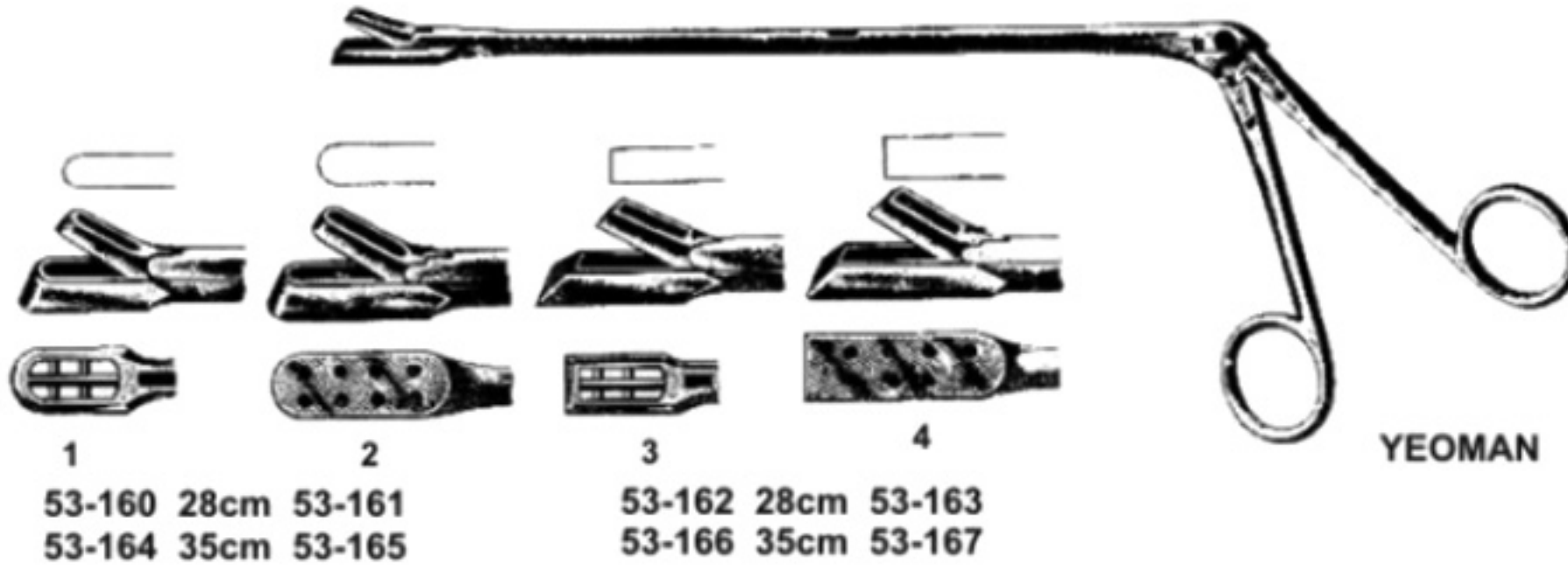
NAUTON-MORGAN  
51-150 70x22mm



GABRIEL  
51-140 64x24mm  
51-142 49x19mm



## RECTUM BIOPSY FORCEPS



1  
53-160 28cm  
53-164 35cm

2  
53-161  
53-165

3  
53-162 28cm  
53-166 35cm

4  
53-163  
53-167

YEOMAN

## COTTON CARRIER



## PILE FORCEPS



LURE  
53-170 24.5cm



JARVIS  
53-180 23cm



LANGENBECK  
53-190 26cm



53-200 45cm